

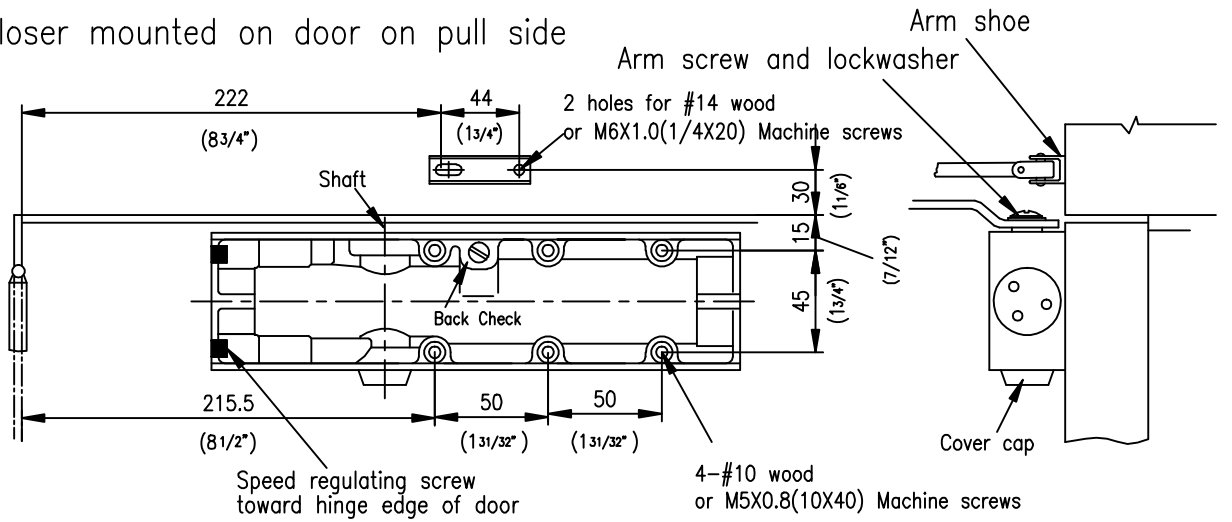
D2000 DOOR CLOSER

INSTALLATION INSTRUCTIONS

SURFACE MOUNTED CLOSER metric (inch) system

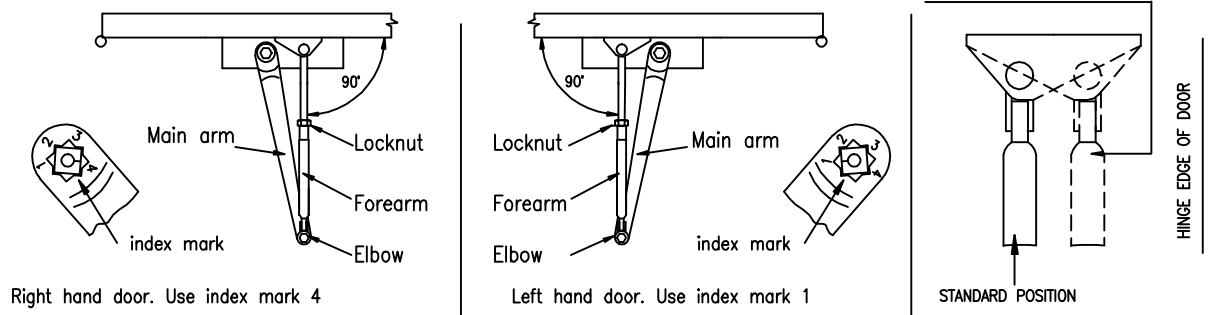
STANDARD INSTALLATION

Closer mounted on door on pull side



RIGHT HAND DOOR shown, Same dimensions apply for left hand door measured from hinge edge.

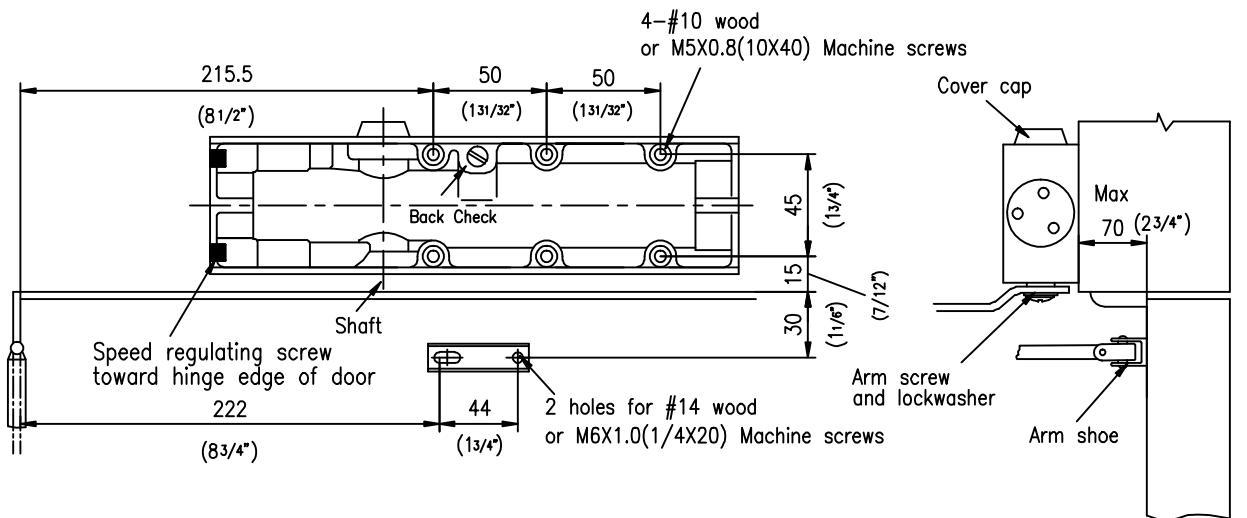
POSITION OF ARMS AND INDEX SETTINGS



TOP JAMB INSTALLATION

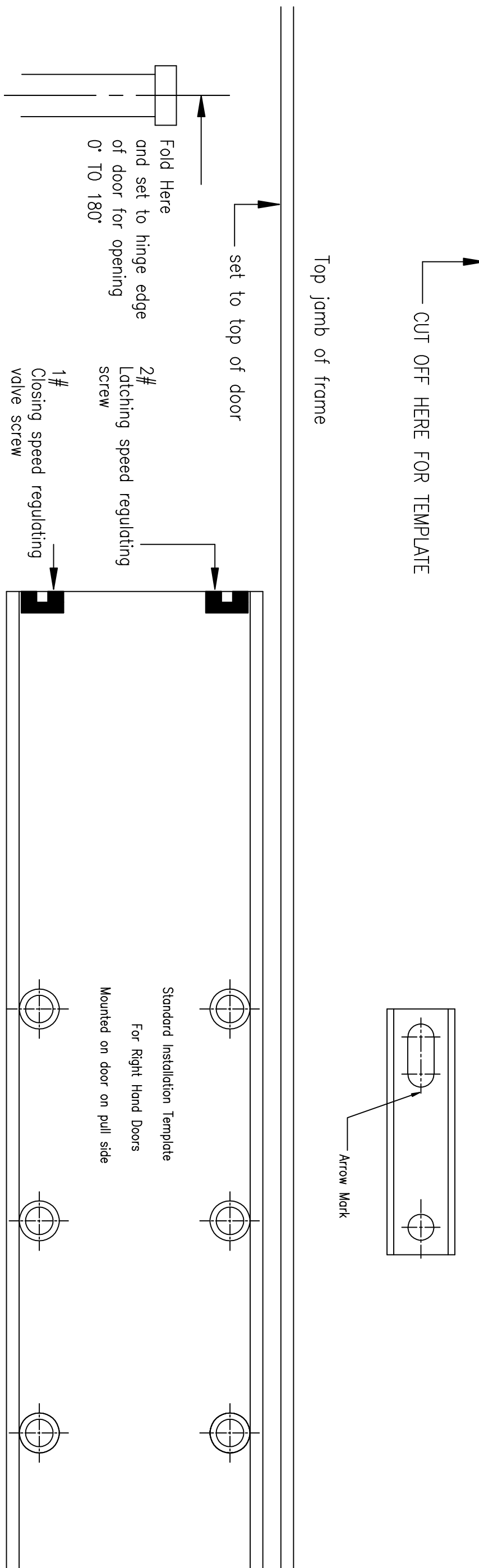
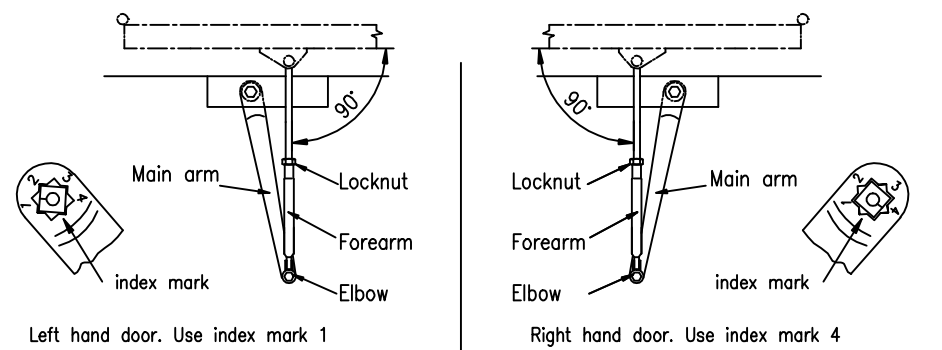
Closer mounted on top jamb on push side of door.

Reveals of 70(23/4") to 127(5") requires long top jamb forearms.



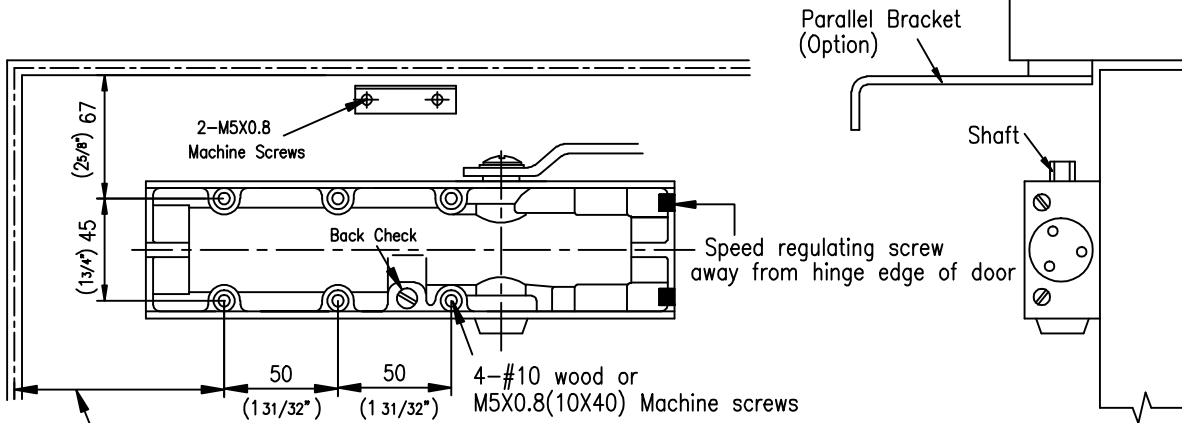
LEFT HAND DOOR shown, Same dimensions apply for right hand door measured from hinge edge.

POSITION OF ARMS AND INDEX SETTINGS



PARALLEL ARM INSTALLATION

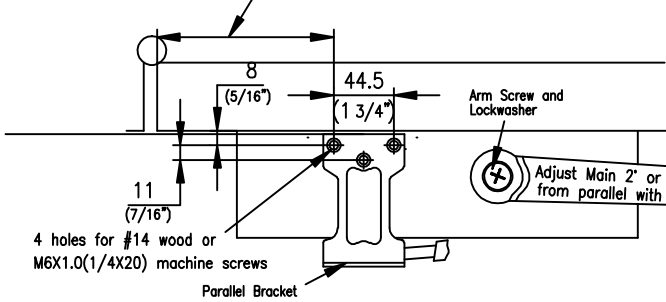
Closer mounted on door on pull side



for opening to 160°-64(2 1/2")

for opening to 160°-141(5 9/16")

LEFT HAND DOOR shown, Same dimensions apply for right hand door measured from hinge edge.



Using a wrench on the square shaft on bottom of closer, rotate shaft approximately 45° toward hinge edge of door, Hold and place main arm on shaft on top of closer at proper index mark as illustrated. FOR LEFT HAND DOOR NO. 3 (illustration "A"). FOR RIGHT HAND DOOR NO. 2 (illustration "B"). Tighten arm screw with lockwasher securely.

POSITION OF ARMS AND INDEX SETTINGS

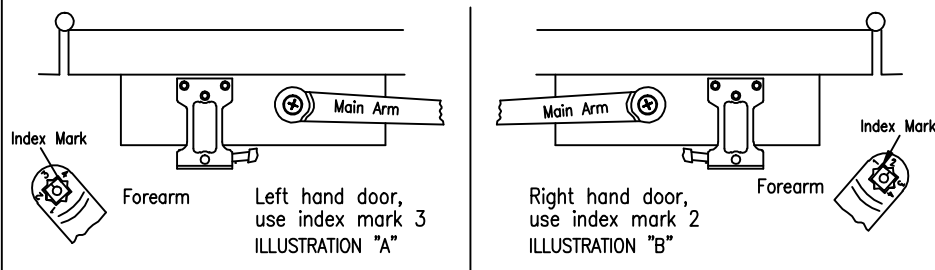
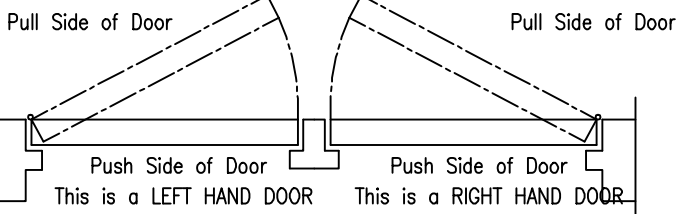
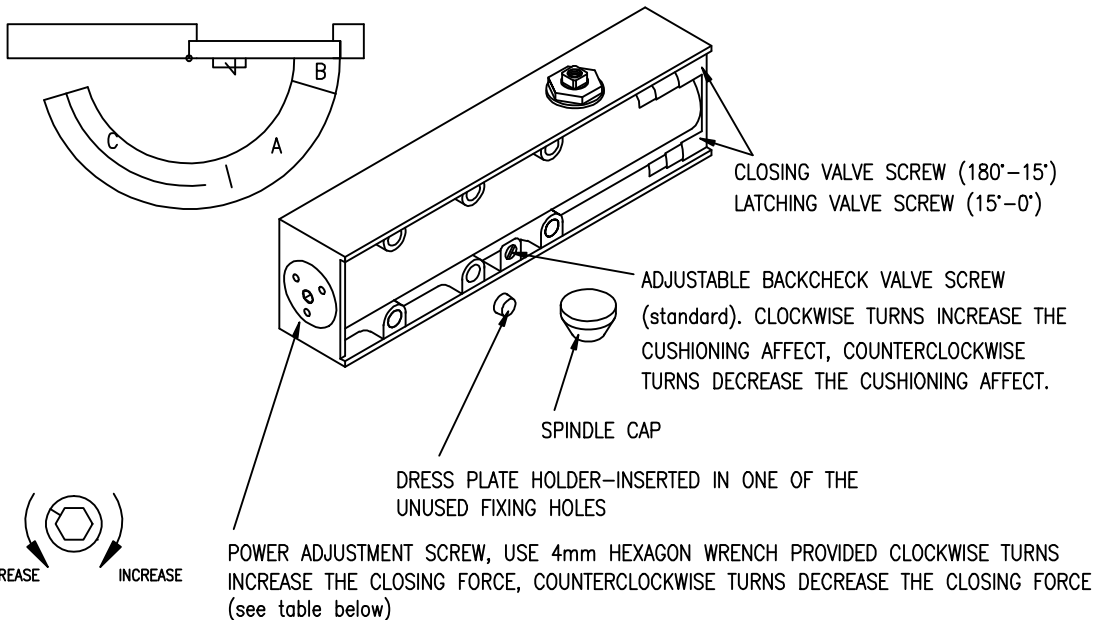


CHART FOR HAND OF DOOR



SPRING POWER & VALVE ADJUSTMENT

- A. CLOSING RANGE 180°-15'
- B. LATCHING RANGE 15°-0'
- C. BACKCHECK RANGE 70°-160'



SIZE	NO.OF TURNS	DIRECTION
2	6	COUNTERCLOCKWISE
3	0	FACTORY FRESET
4	5	CLOCKWISE
5	9	CLOCKWISE

CUT OFF HERE FOR TEMPLATE

Top jamb of frame

